

BTS3BE0600/0800

BTS4BE0600/0800

MCCB Type Transfer Switch

Rated Current 500~800 Amp Rated Voltage 100~600 VAC

Features

- High Short Circuit Breaking Capacity
- Incorporate OCPD Design*1
- Complies with IEC60947-6 requirements*2
- MCCB Has Auxiliary Limit Switch Inside
- Reliable Motor-Operated Transfer Mechanism
- Molded Insulating Manual Handle
- PVC-Coated Bus Bar > 3KV Insulation
- With Mechanical Interlock
- Includes Plug-in Connector, For Simple Hook-up to Controller



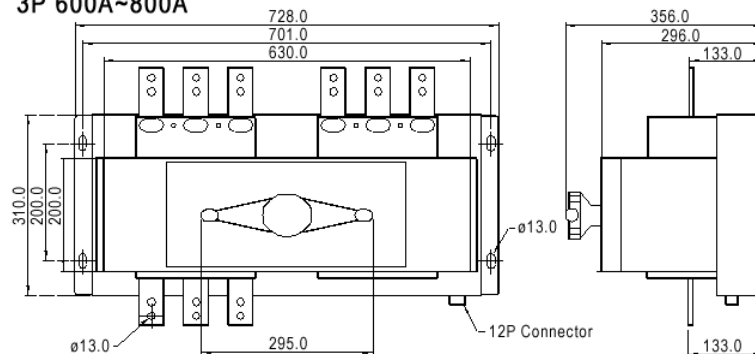
BTS Rated Operating Current & AC Rated Breaking Capacity

BTS Type	Poles	Rated Current(A) Ambient Temperature 40°C		AC Rated Breaking Capacity Sym r.m.s(KA)				IEC 60947-2 Icu/Ics	
				240V	380V	415V	440V	500V	690V
BTS3BE0600	3P	500	600	35	25	25	20	18	--
BTS4BE0600	4P	500	600	50	45	35	30	25	16
BTS3BE0800	3P	700	800	50	45	35	30	25	16
BTS4BE0800	4P	700	800	85	65	50	50	35	20

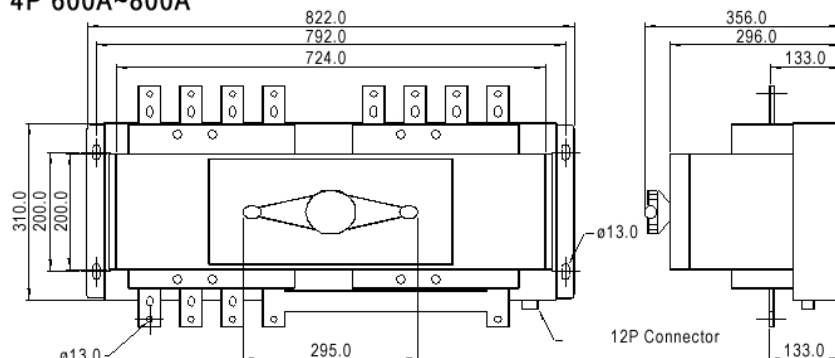
*For special high breaking capacity requirements, please contact us.

Mechanical Specifications (Unit : mm)

3P 600A~800A



4P 600A~800A



*1 OCPD : Over Current Protection Device

*2 (1) IEC60947-6 Class CB : ATS provided with over current releases and the main contacts of which are capable of making and are intended for breaking short circuit currents.

(2) IEC60947-6 Utilization Category AC-33A :

• Frequent Operations. • Motor loads or mixed loads including motors, resistive loads and up to 30% incandescent lamp.

*3 Customized BTS Available : Please provide the required specification and specified MCCB type (if there is any), we will evaluate the mechanical capability for customers.

